



### Properties

- Ø30 mm housing
- 15 mm, flush mountable
- DC, 2-wire switching output
- Cable and connector versions

### Technical Data

For detailed data and product description refer to the data sheets at [www.pepperl-fuchs.com](http://www.pepperl-fuchs.com)

#### General Data

Rated operating distance	15 mm
Installation	flush
Type of voltage	DC
Operating voltage	3.5 ... 30 V
Switching frequency	500 Hz
Operating current	2 ... 100 mA
Short-circuit protection	pulsing
Indication of the switching state	LED, yellow
Ambient temperature	-25 ... 70 °C (-13 ... 158 °F)
Housing material	brass, nickel-plated
Protection degree	IP67

#### Model Number

			NCB15-30GM50-Z4	NCB15-30GM50-Z5	NCB15-30GM50-Z4-V1	NCB15-30GM50-Z5-V1
Switching element function	DC NO		●		●	
	DC NC			●		●
Reverse polarity protection	✓		●		●	
	reverse polarity-conductive			●		●
Connection type	Device connector M12 x 1 , 4-pin				●	●
	cable PVC , 2 m		●	●		

#### Approvals and Certificates

UL approval	cULus Listed, General Purpose	●	●	●	●
CSA approval	cCSAus Listed, General Purpose	●	●	●	●
CCC approval	Products with a maximum operating voltage of ≤36 V do not bear a CCC marking because they do not require approval.				

#### Dimensions

Length L [mm]		50	65
Diameter D [mm]			30
Thread length l <sub>t</sub> [mm]		47	50
Cap length l <sub>1</sub> [mm]			0
Connector area l <sub>c</sub> [mm]		0	15
LED position		Pos. C	

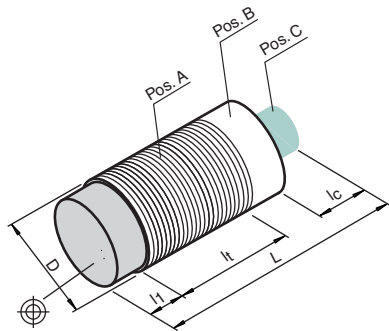
### Accessories

This and more accessories can be found in chapter 10

See pages from 972 ... for cordsets

See pages 1068 ... for mounting aids

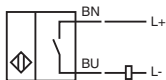
- BF 30** Mounting flange, 30 mm
- EXG-30** Quick mounting bracket with dead stop
- V1-G-BK** 4-pin, M12 female field-attachable connector
- V1-W-BK** 4-pin, M12 female field-attachable connector
- V1-G-2M-PUR** Cable socket, M12, 4-pin, PUR cable
- V1-W-2M-PUR** Cable socket, M12, 4-pin, PUR cable



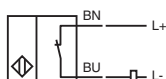
### Electrical Connection



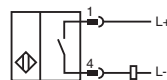
NCB15-30GM50-Z4



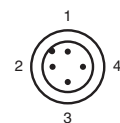
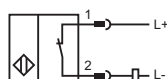
NCB15-30GM50-Z5



NCB15-30GM50-Z4-V1



NCB15-30GM50-Z5-V1



Wire colors in accordance with EN 60947-5-2

- 1 BN (brown)
- 2 WH (white)
- 3 BU (blue)
- 4 BK (black)